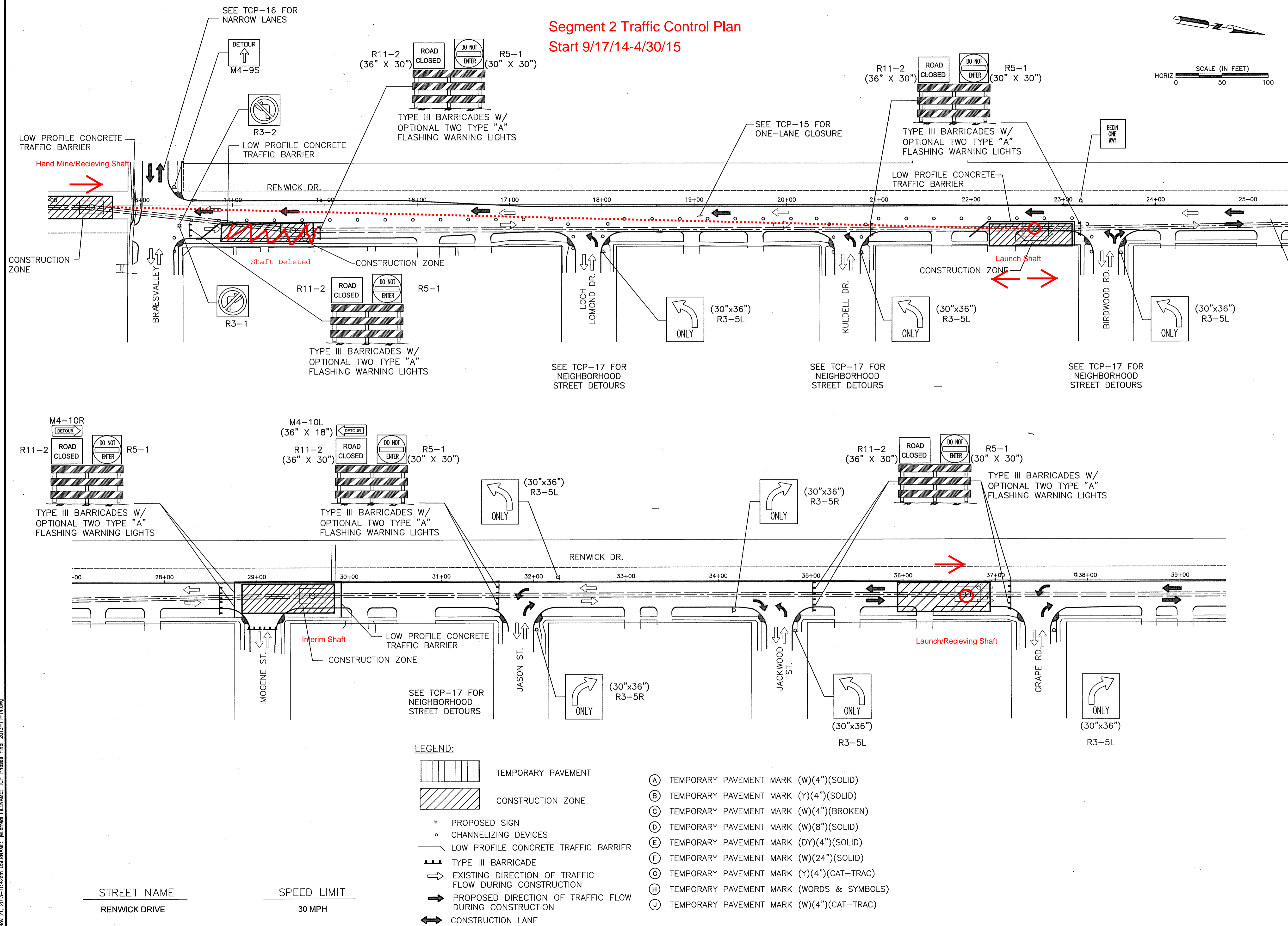
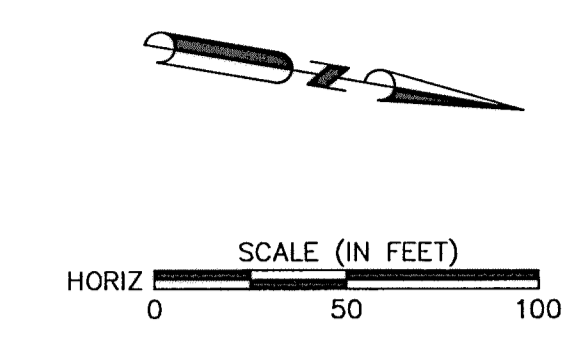


Segment 2 Traffic Control Plan
Start 9/17/14-4/30/15

NOTES:

- SEE TCP 01 & 02 FOR CONSTRUCTION SEGMENTS AND TCP 03 FOR TRAFFIC CONTROL NOTES.
 - CONTRACTOR SHALL ADJUST LOCATION OF TRAFFIC SIGNAL HEADS AND OVERHEAD SIGNS TO LINE-UP WITH TEMPORARY TRAFFIC LANES AT ALL TIMES.
 - SEE COH STANDARD DETAILS FOR ADVANCE WARNING SIGNS AND SPACING.
 - CONTRACTOR TO CONTACT METRO WITHIN TEN (10) WORKING DAYS WHEN WORKING ADJACENT TO METRO BUS STOPS.
 - CONTRACTOR TO MAINTAIN MINIMUM OF ONE DRIVEWAY TO ALL COMMERCIAL PROPERTIES AT ALL TIMES.
 - NO MORE THAN FIVE (5) PITS/SHAFTS CAN BE OPEN AND ACTIVE AT ANY ONE TIME.
 - EXCAVATED PITS/SHAFTS WILL BE COVERED AT THE END OF EACH DAY.
- SEE TCP-15 FOR TYPICAL ONE-LANE CLOSURE



LEGEND:

- TEMPORARY PAVEMENT
- CONSTRUCTION ZONE
- PROPOSED SIGN
- CHANNELIZING DEVICES
- LOW PROFILE CONCRETE TRAFFIC BARRIER
- TYPE III BARRICADE
- EXISTING DIRECTION OF TRAFFIC FLOW DURING CONSTRUCTION
- PROPOSED DIRECTION OF TRAFFIC FLOW DURING CONSTRUCTION
- CONSTRUCTION LANE

- (A) TEMPORARY PAVEMENT MARK (W)(4")(SOLID)
- (B) TEMPORARY PAVEMENT MARK (Y)(4")(SOLID)
- (C) TEMPORARY PAVEMENT MARK (W)(4")(BROKEN)
- (D) TEMPORARY PAVEMENT MARK (W)(8")(SOLID)
- (E) TEMPORARY PAVEMENT MARK (DY)(4")(SOLID)
- (F) TEMPORARY PAVEMENT MARK (W)(24")(SOLID)
- (G) TEMPORARY PAVEMENT MARK (Y)(4")(CAT-TRAC)
- (H) TEMPORARY PAVEMENT MARK (WORDS & SYMBOLS)
- (J) TEMPORARY PAVEMENT MARK (W)(4")(CAT-TRAC)

No.	Date	Revisions	App.

S&B 3535 Sage, Houston, Texas 77056
PH-713.845.5401 • FAX-713.993.9301
Texas PE Firm Registration No.: F-1582

KIT Professionals, Inc.
Engineers • Planners • Construction Managers
2825 Wilcrest Drive, Suite 600, Houston, Texas 77042
Phone: (713) 783-8700; Fax: (713) 783-8747
TBPE Firm Registration No. F-4991

DESIGN ENGINEER NAME: KEITH R. DAVIS, PE
ADDRESS: 2825 WILCREST DR., SUITE 600 HOUSTON, TEXAS 77042
TELEPHONE: 713-783-8700
TX FIRM NUMBER: F-4991

SURVEYED BY: UNITED ENG. INC.
FB No. P-5719

SEAL:

CITY OF HOUSTON
DEPARTMENT OF PUBLIC WORKS AND ENGINEERING

LIFT STATION RENEWAL AND REPLACEMENT
54-INCH GRAVITY SEWER LINE

TRAFFIC CONTROL PLANS
SHEET 05 OF 20

WBS NUMBER
R-000267-0100-4

DRAWING SCALE
1"=50'

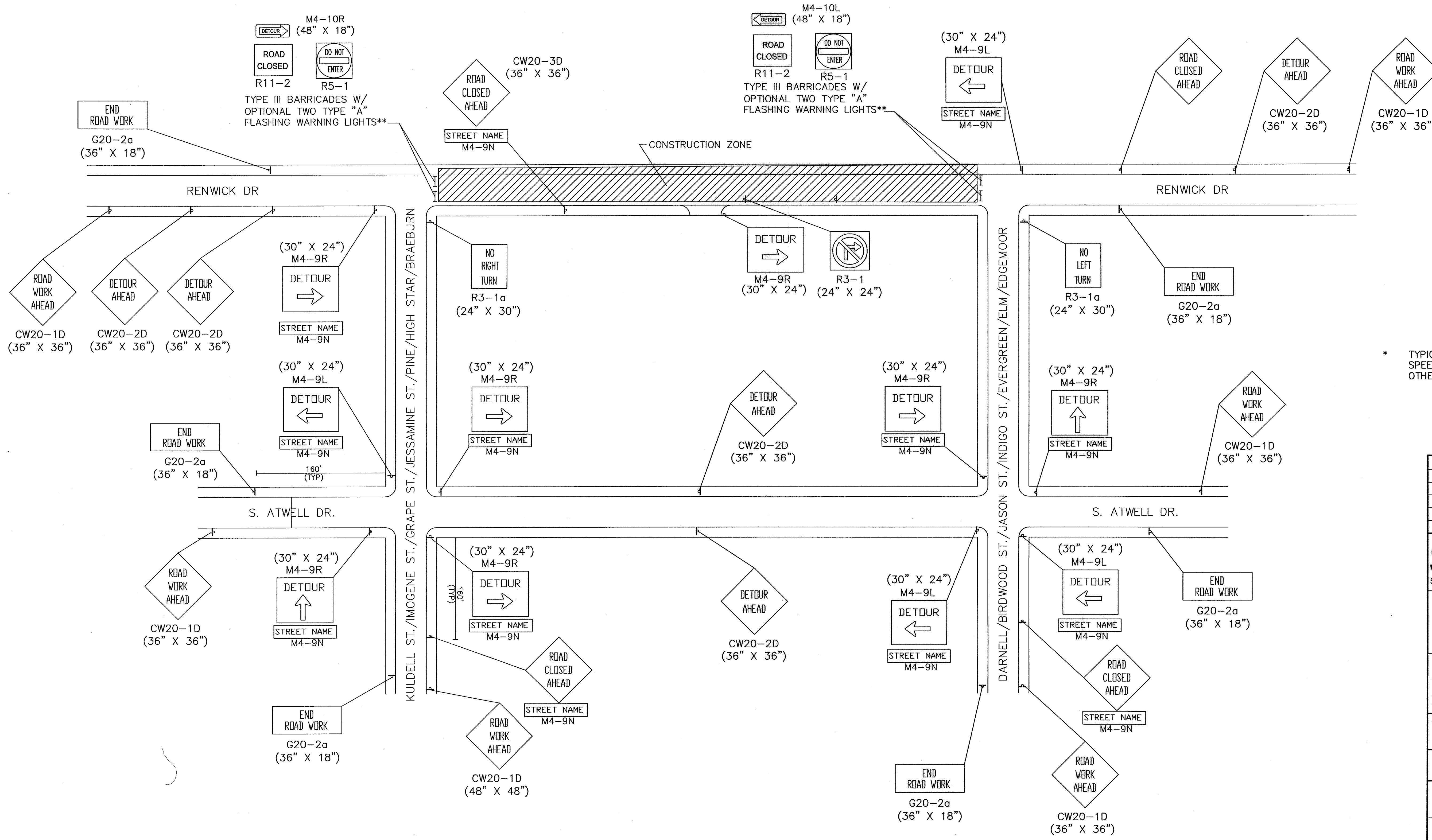
CITY OF HOUSTON PM
TANUSHREE HIREMATH, P.E.

SHEET NO. 84 OF 130

DATE: Nov 21, 2013 11:42am USERNAME: jholland FILENAME: TCP_Phases_Final_2013-11-14.dwg

NOTES:

- SEE TCP 01 & 02 FOR TRAFFIC CONTROL PHASING AND TCP 03 FOR TRAFFIC CONTROL NOTES.
- CONTRACTOR SHALL ADJUST LOCATION OF TRAFFIC SIGNAL HEADS AND OVERHEAD SIGNS TO LINE-UP WITH TEMPORARY TRAFFIC LANES AT ALL TIMES.



* TYPICAL DIMENSIONS ARE SHOWN FOR 35 MPH SPEED LIMIT SEE DWG. NO. TCP-03 FOR OTHER SPEED LIMITS.

DATE: Nov 21, 2013 9:50am USERNAME: KOVANS FILENAME: TCP.dwg

TRAFFIC CONTROL PLAN FOR NEIGHBORHOOD STREET DETOURS
RENWICK DR. AND INTERSECTING STREETS

No.	Date	Revisions	App.

S&B 3535 Sage, Houston, Texas 77056
PH-713.845.5401 • FAX-713.993.9301
Texas PE Firm Registration No.: F-1582
S&B INFRASTRUCTURE, LTD.

KIT Professionals, Inc.
Engineers • Planners • Construction Managers
2825 Wilcrest Drive, Suite 600, Houston, Texas 77042
Phone: (713) 783-8700; Fax: (713) 783-8747
TX PE Firm Registration No. F-4991

DESIGN ENGINEER NAME: KEITH R. DAVIS, PE
ADDRESS: 2825 WILCREST DR., SUITE 600 HOUSTON, TEXAS 77042
TELEPHONE: 713-783-8700
TX FIRM NUMBER: F-4991
SURVEYED BY: UNITED ENG. INC.
FB No. P-5719

SEAL: OCTOBER, 2013

CITY OF HOUSTON
DEPARTMENT OF PUBLIC WORKS AND ENGINEERING
LIFT STATION RENEWAL AND REPLACEMENT
54-INCH GRAVITY SEWER LINE
TRAFFIC CONTROL PLANS
SHEET 17 OF 20

WBS NUMBER R-000267-0100-4
DRAWING SCALE NTS
CITY OF HOUSTON PM TANUSHREE HIREMATH, P.E.
SHEET NO. 96 OF 130

51508